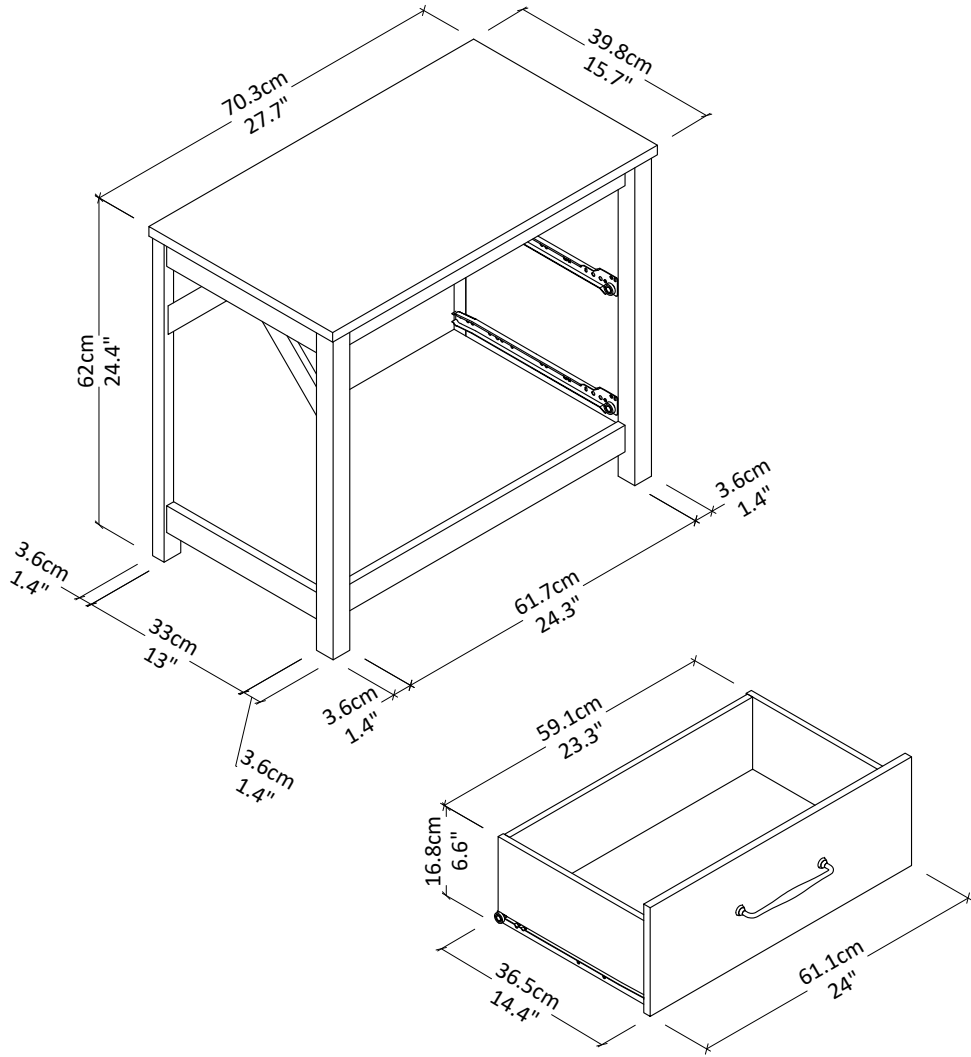


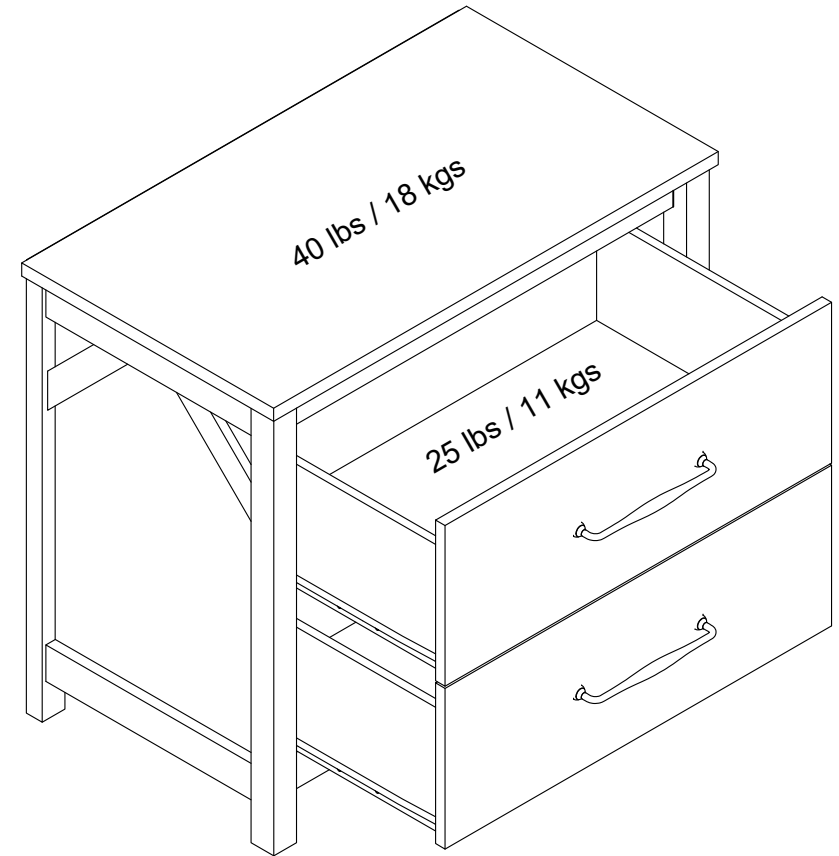
3391xxxCOM- NIGHTSTAND.

Finish: Magnolia oak / Reclaimed oak



Wood breakdown: 95%
Total storage: 6.2 cubit feet

Overall Product Size:
27.7"W x 15.7"D x 24.4"H
70.3cm W x 39.8cm D x 62cmH



Maximum Weight Capacities
Unit Weight: 48.6 lbs. (22 Kgs)